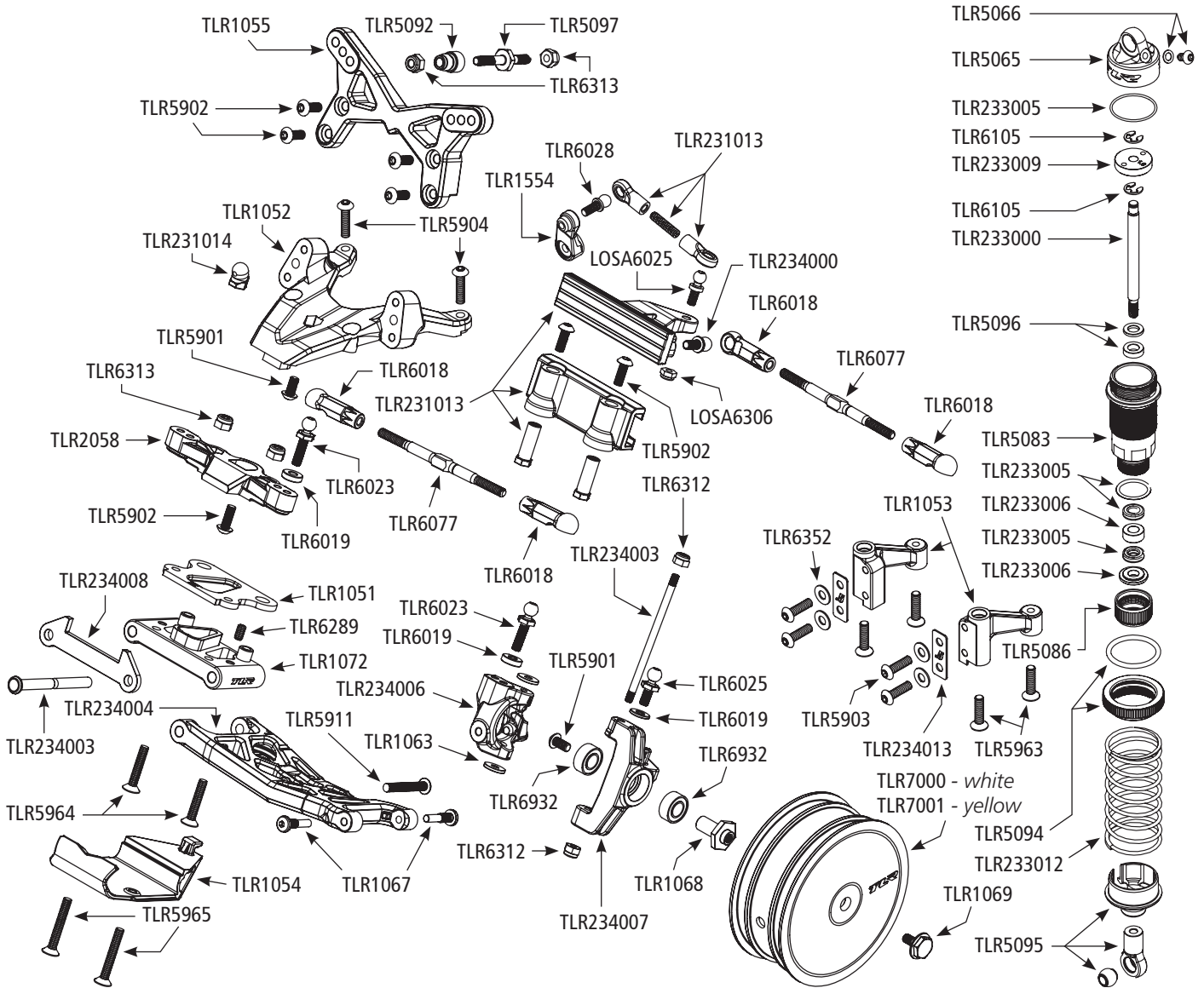


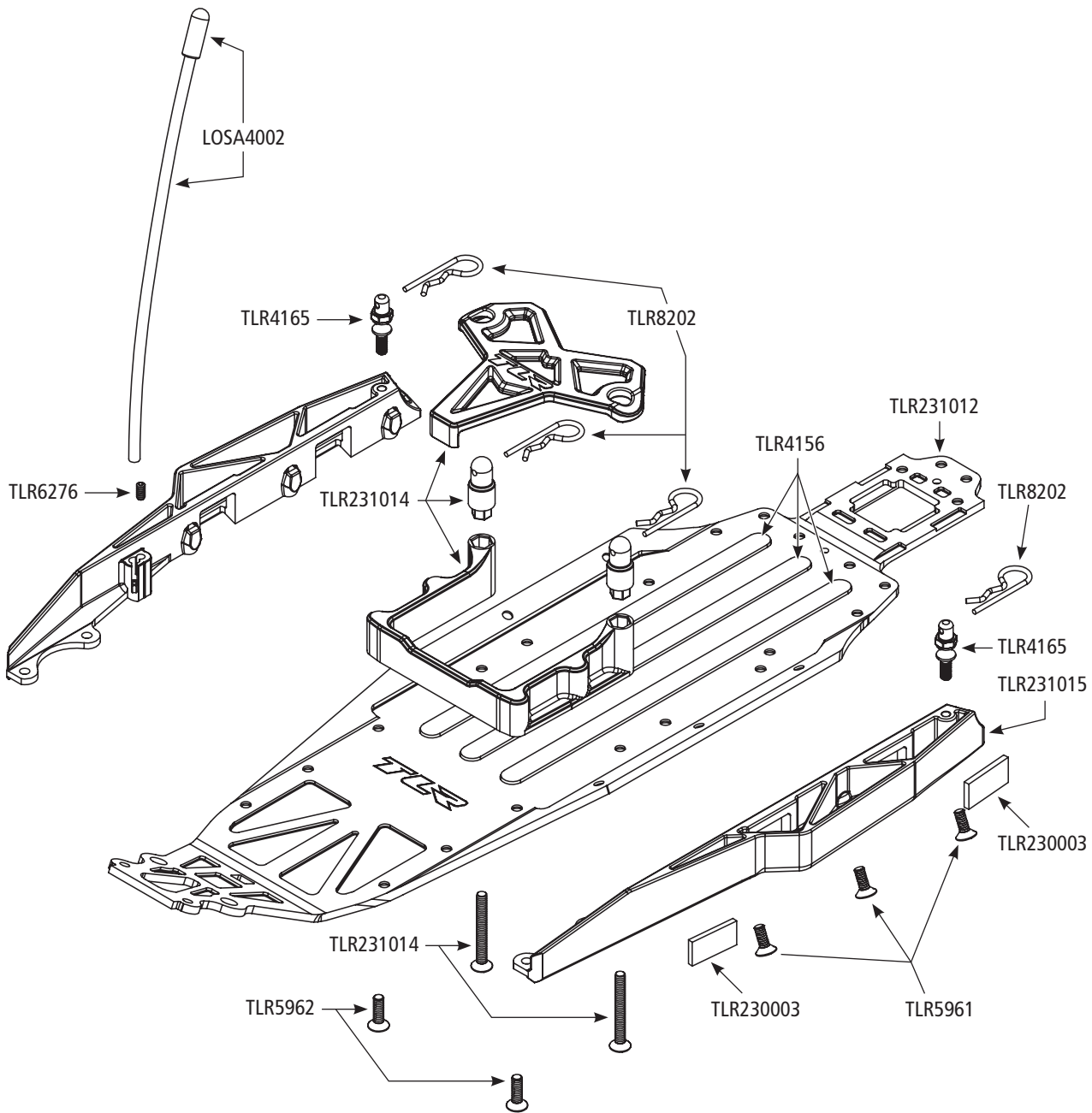
FP TM
2.0

TLR[®]
TEAM LOSI RACING

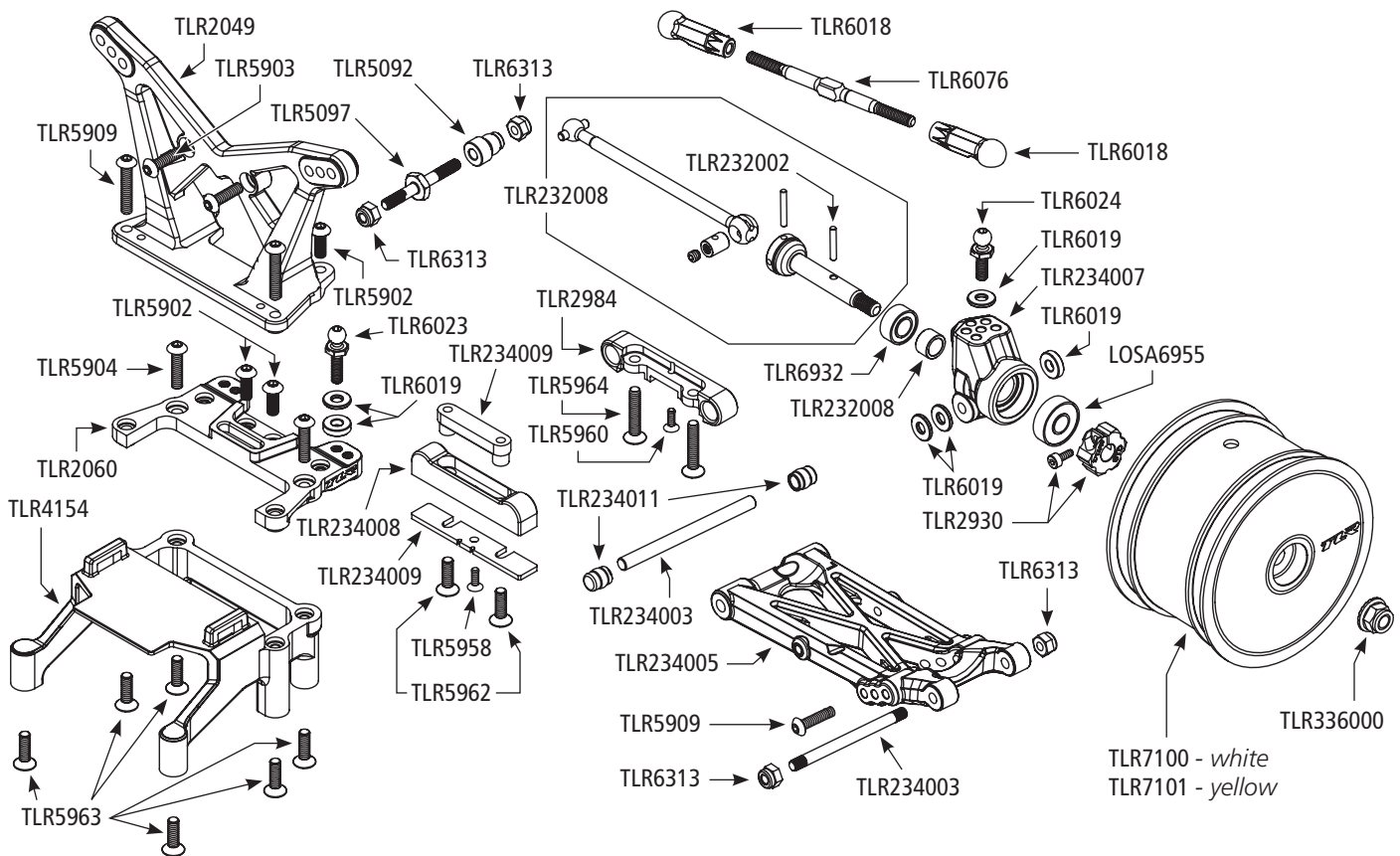
REPLACEMENT PARTS / ERSATZTEILE / PIÈCES DE RECHANGE / PEZZI DI RICAMBIO / LISTADO DE PIEZAS



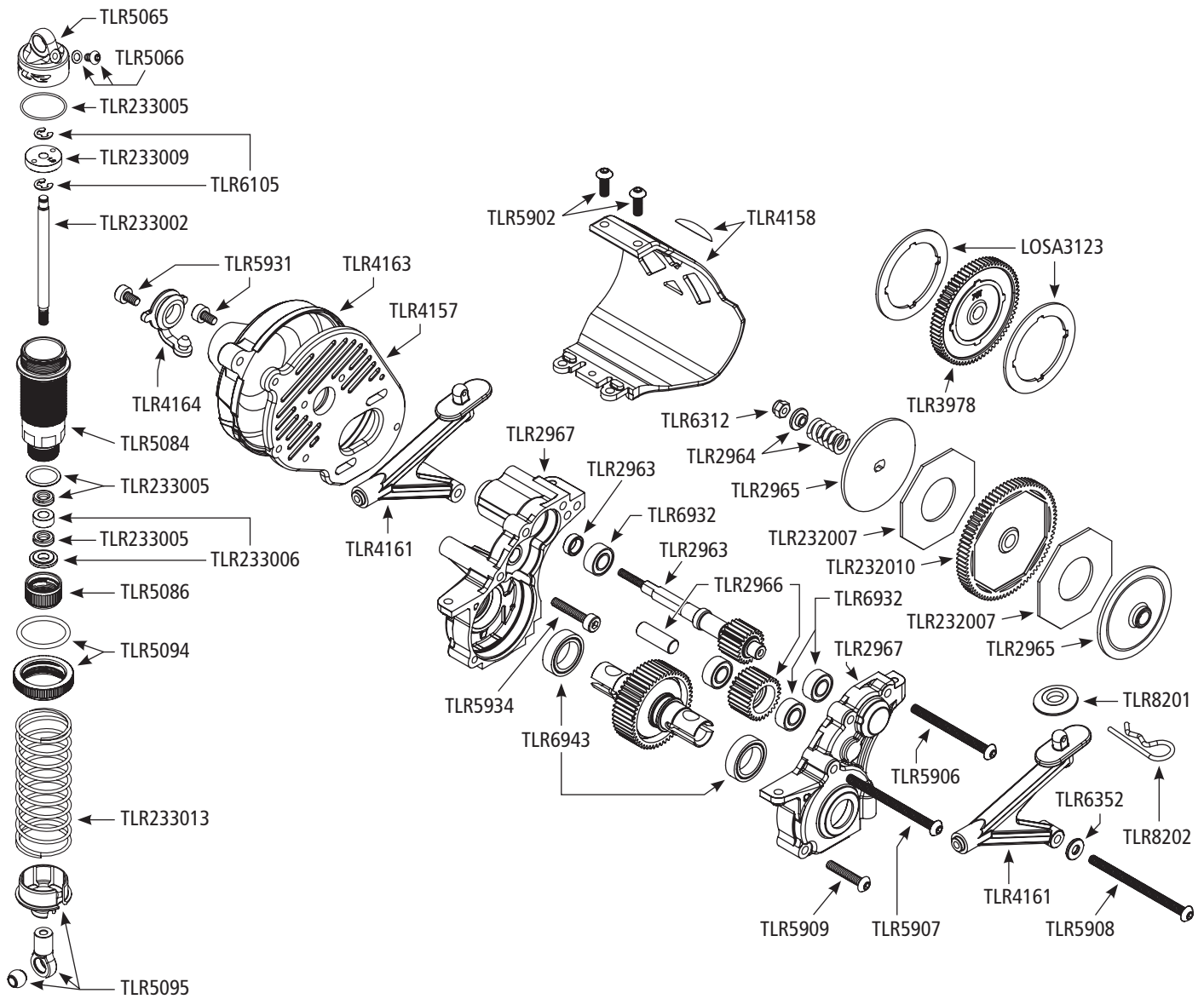
Part #	English	Deutsch	Français	Italiano	Español
LOSA3123	Slipper Friction Pad	Losi Slipper Pad	Garniture de slipper	Pattino di attrito per antisaltellamento	Almohadilla slipper
LOSA4002	Antenna Kit	Losi Antennen Kit	Tube d'antenne	Kit antenna	Kit de antena
LOSA6201	3mm x 6mm Socket Head Screw	Losi Inbuschraube 3mm x 6mm	Vis CHC M3x6mm (10)	3mm x 6mm Vite a brugola	Tornillos con cabeza tipo Allen 3x6mm
LOSA6306	4-40 Aluminum Mini-Nuts (10)	Losi 4-40 Aluminium Mini-Muttern (10)	Mini écrous 4-40 (10)	4-40 Mini dadi alluminio (10)	Mini-tuercas aluminio 4-40 (10)
LOSA6943	10 x 15mm Sealed Ball Bearing (2): 22	Losi 10 X 15mm Kugellager gekapselt (2): 22	Roulements étanches 10x15mm (2)	10 x 15mm Cuscinetti stagni (2): 22	Rodamiento sellado 10x15mm (2): 22
LOSA6955	5 x 13mm HD Clutch Bearings (2): 8B/8T	Losi 5 x 13mm HD Kupplungslager (2):8B/8T	Roulements renforcés 5x13mm	5 x 13mm HD Cuscinetti frizione (2): 8B/8T	Rodamientos campana HD 5x13mm (2): 8B/8T
TLR1051	Front Pivot & Kick Shims: 22	TLR Querlenkerhalter inkl Distanzstücke: 22	Cale de pincement avant et cales de chasse - 22	Perni anteriori & spessori: 22	Soporte delantero trapecios: 22
TLR1052	Front Bulkhead: 22	TLR Dämpferbrücke vorne: 22	Cellule avant	Paratia anteriore: 22	Caja delantera: 22
TLR1053	Front Servo Mount/Chassis Brace: 22	TLR Servohalter / Chassisstrebe: 22	Support de servo/renfort de châssis avant	Supporto servo anteriore/ telaio: 22	Caja delantera: 22
TLR1054	Front Bumper: 22	TLR Stoßfänger vorne: 22	Pare-choc avant	Paraurti anteriore: 22	Paragolpes delantero: 22
TLR1055	Front Shock Tower: 22	TLR Dämpferbrücke: 22	Support d'amortisseur avant	Torre ammortizzatore anteriore: 22	Torreta amortiguador delantera: 22



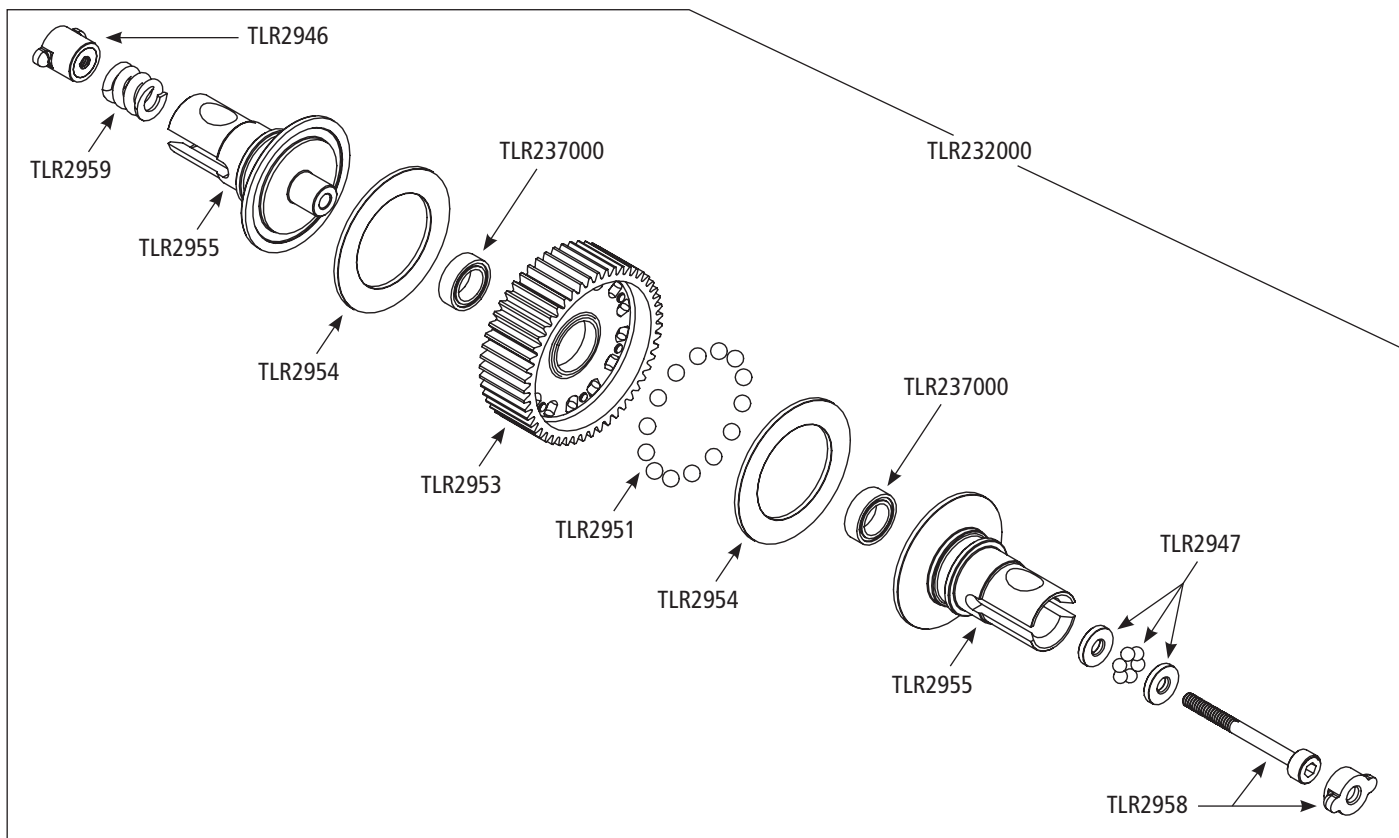
Part #	English	Deutsch	Français	Italiano	Español
TLR1063	Spindle/Caster Block Shim Set: 22	TLR Distanzscheiben: 22	Set de rondelles de fusée	Set fuso/blocco caster distanziale: 22	Arandelas ajuste manguetas/ portamanguetas: 22
TLR1067	King Pin Screw (8): 22	TLR King Pin (8): 22	Vis/axe d'étrier porte fusée (8)	Vite perno (8): 22	Tornillo King Pin (8): 22
TLR1068	Front Axle (2): 22	TLR Radachse vorne (2)	Axe de roue avant (2)	Asse anteriore (2): 22	Eje rueda delantera (2): 22
TLR1069	Front Axle Lug Screw (2): 22	TLR Radmutter vorne (2): 22	Vis de fixation de roue avant (2)	Vite assale anteriore (2): 22	Tornillo eje rueda delantera (2): 22
TLR1072	Front Pivot, Aluminum: 22	TLR Querlenkerhalter, Aluminium: 22	Cale de pincement avant en aluminium	Perno anteriore, alluminio: 22	Soporte trapecios delanteros aluminio: 22
TLR1554	Servo Horn Set, Steering: 22	TLR Servohorn Set: Lenkung: 22	Bras de servo	Set squadrette servo, sterzo: 22	Brazos servo dirección: 22
TLR2049	Rear Shock Tower, Rear Motor: 22	TLR Dampferbrücke hinten Heckmotor: 22	Support d'amortisseur arrière pour moteur arrière	Torre ammortizzatore posteri- ore, motore posteriore: 22	Torreta amortiguadores trasera, motor trasero: 22
TLR2050	Rear Shock Tower, Mid Mo- tor: 22	TLR Dampferbrücke hinten Mittelmotor: 22	Support d'amortisseur arrière pour moteur central	Torre ammortizzatore posteri- ore, motore centrale: 22	Torreta amortiguadores trasera, motor medio: 22
TLR2051	Front & Rear Camber Block Kit: 22	TLR Sturzstangenbrücke v / h: 22	Support de biellettes de carrossage avant et arrière	Kit blocco camber anteriore & posteriore: 22	Tabicas camber delantero y trasero: 22
TLR2060	Rear Camber Block, Rear Motor, Aluminum: 22/T	TLR Aufhängungshalter Mittelmotor Alu: 22	Support de biellette de car- rossage arrière en aluminium, pour moteur arrière	Blocco camber posteriore, motore posteriore, alluminio: 22/T	Tabica camber trasero alumi- nio, motor trasero: 22
TLR230001	22 2.0 Body and Wing Set, with Stickers	TLR 22 2.0 Body & Flügelset m. Sticker	Carrosserie 22 2.0 avec aileron et autocollants	22 2.0 set carrozzeria e alettone, con adesivi	Carrocería y alerón 22 2.0 con adhesivos
TLR230002	6.5" Medium Downforce Wing, Precut	TLR 6.5 Medium Downforce Flügel vorgeschritten	Aileron appui moyen, précoupé (2)	6.5" alettone deportanza media, pretagliato	Alerón precortado 6.5" carga aerodinámica media



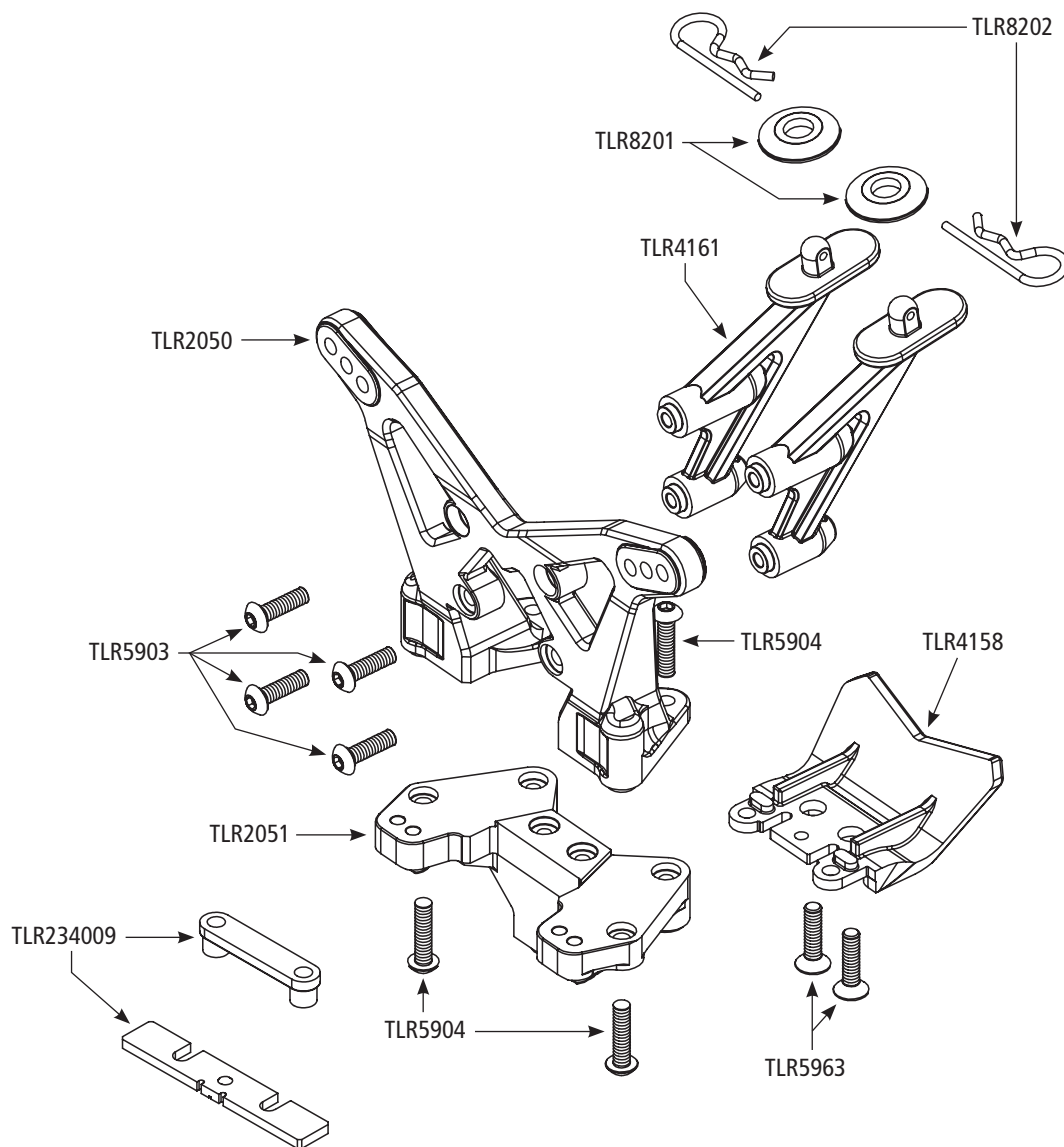
Part #	English	Deutsch	Français	Italiano	Español
TLR230003	Hook and Loop Body Mounting, 10 x 20mm: (8)	TLR Klettband 10 x20mm (8)	Bandes auto-agrippantes pour fixation de carrosserie, 10x20mm (8)	Attacco a strappo per montaggio carrozzeria, 10 x 20mm: (8)	Sujeción carrocería 10x20mm: (8)
TLR231012	Chassis: 22 2.0	TLR 22 2.0 Chassis	Châssis	Telaio: 22 2.0	Chasis: 22 2.0
TLR231013	Steering Housing, Rack, Hardware: 22/2.0/T/SCT	TLR Zahnstangenhalter Lenkung 22/2.0/T/SCT	Rail de direction avec accessoires	Sede sterzo, rack, viteria: 22/2.0/T/SCT	Sistema dirección: 22/2.0/T/SCT
TLR231014	Battery Mounts Mid/Rear: 22/2.0/T/SCT	TLR Akkuhalter Mitte / Heck 22/2.0/T/SCT	Supports de batterie Milieu/Arr	Supporti batteria centrale/posteriore: 22/2.0/T/SCT	Soportes batería medio/trasero: 22/2.0/T/SCT
TLR231015	Mud Guard Set: 22/2.0/T	TLR Schmutzfängerset : 22/2.0/T	Bavettes	Set parafango: 22/2.0/T	Protectores laterales: 22/2.0/T
TLR232002	Solid Drive Pin Set (8): 22/T/SCT	TLR Antriebspin Set (8): 22/T/SCT	Jeu de goupilles d'entraînement pleines (8)	Set perni trasmissione (8): 22/T/SCT	Pasador sólido rueda cardan (8): 22/T/SCT
TLR232007	HDS Slipper Pad (2)	TLR HDS Slipper Pad (2)	Garniture de slipper HDS (2)	HDS Pattino antisaltellamento (2)	Almohadillas embrague HDS (2)
TLR232008	Drive Shaft Set Complete: 22 2.0	TLR Antriebswellenset kpl. 22 2.20	Set de cardans	Set completo trasmissione: 22 2.0	Cardan completo: 22 2.0
TLR232010	HDS Spur Gear, 78T 48P, Kevlar: All 22	TLR: HDS Zahnrad 78T 48P Kevlar: alle 22	Couronne Kevlar HDS, 78T 48P	HDS Corona, 78T 48P, Kevlar: All 22	Corona central HDS Kevlar 78T 48P: Todos 22
TLR233000	Shock Shaft, 3.5 x 44mm, TiCN (2)	TLR Kolbenstange 3.5 x 44mm TiCN (2)	Tiges d'amortisseurs, 3.5x44mm, TiCN (2)	Albero ammortizzatore, 3.5 x 44mm, TiCN (2)	Vástago amortiguador TiCN 3.5x44mm (2)
TLR233002	Shock Shaft, 3.5 x 50mm, TiCN (2)	TLR Kolbenstange 3.5 x 50mm TiCN (2)	Tiges d'amortisseurs, 3.5x50mm, TiCN (2)	Albero ammortizzatore, 3.5 x 50mm, TiCN (2)	Vástago amortiguador TiCN 3.5x50mm (2)
TLR233005	Seal Set, X-Rings, Shock Cap O-Rings: All 22	TLR Dichtungsset X Ringe Stoßdämpferkappen O-rings: alle 22	Set de joints d'étanchéité et toriques de bouchons d'amortisseurs	Set guarnizioni, x-ring, o-ring tappo ammortizzatore: All 22	Tóricas amortiguador: Todos 22
TLR233006	Shock Bushing Set, Machined (4): All 22	TLR Stoßdämpferlager Set (4) alle 22	Set de paliers d'amortisseurs usinés (4)	Set boccole ammortizzatore, fresate (4): tutti 22	Casquillos amortiguador (4): Todos 22
TLR233009	Shock Piston 12mm 1.6x2 CNC Machined(4): All22,SCTE	TLR Stoßdämpferkolben 12 1.6x2 CNC (4) alle 22, SCTE	Pistons d'amortisseurs usinés CNC diamètre 12mm, 1,6x2 trous (4)	Pistone ammortizzatore 12mm 1.6x2 prodotto con CNC (4): All 22,SCTE	Pistón amortiguador CNC mecanizado 12mm 1.6 x 2 (4): Todos 22, SCTE
TLR233012	Front Spring Set, Low Frequency (4 pair): 22/2.0	TLR Federset vorne. Geringe Federrate (4 paar) 22/2.0	Set de ressorts avant basse fréquence, (4 paires)	Set molle anteriori, bassa frequenza (4 coppie): 22/2.0	Muelles delanteros, Baja Frecuencia (4 pares): 22/2.0
TLR233013	Rear Spring Set, Low Frequency (4 pair): 22/2.0	TLR Federset hinten. Geringe Federrate (4 paar) 22/2.0	Set de ressorts arrière basse fréquence, (4 paires)	Set molle posteriori, bassa frequenza (4 coppie): 22/2.0	Muelles traseros, Baja Frecuencia (4 pares): 22/2.0
TLR234000	Ball Stud, Low Mount, 4.8 x 6mm (4): 22/T/SCT	TLR Kugelkopf für untere Montage (4)	Support inférieur, rotules 4,8 x 6mm (4)	Prigioniero sfera, montaggio basso, 4.8 x 6mm (4): 22/T/SCT	Bola con tornillo corta, 4.8x6mm (4): 22/T/SCT



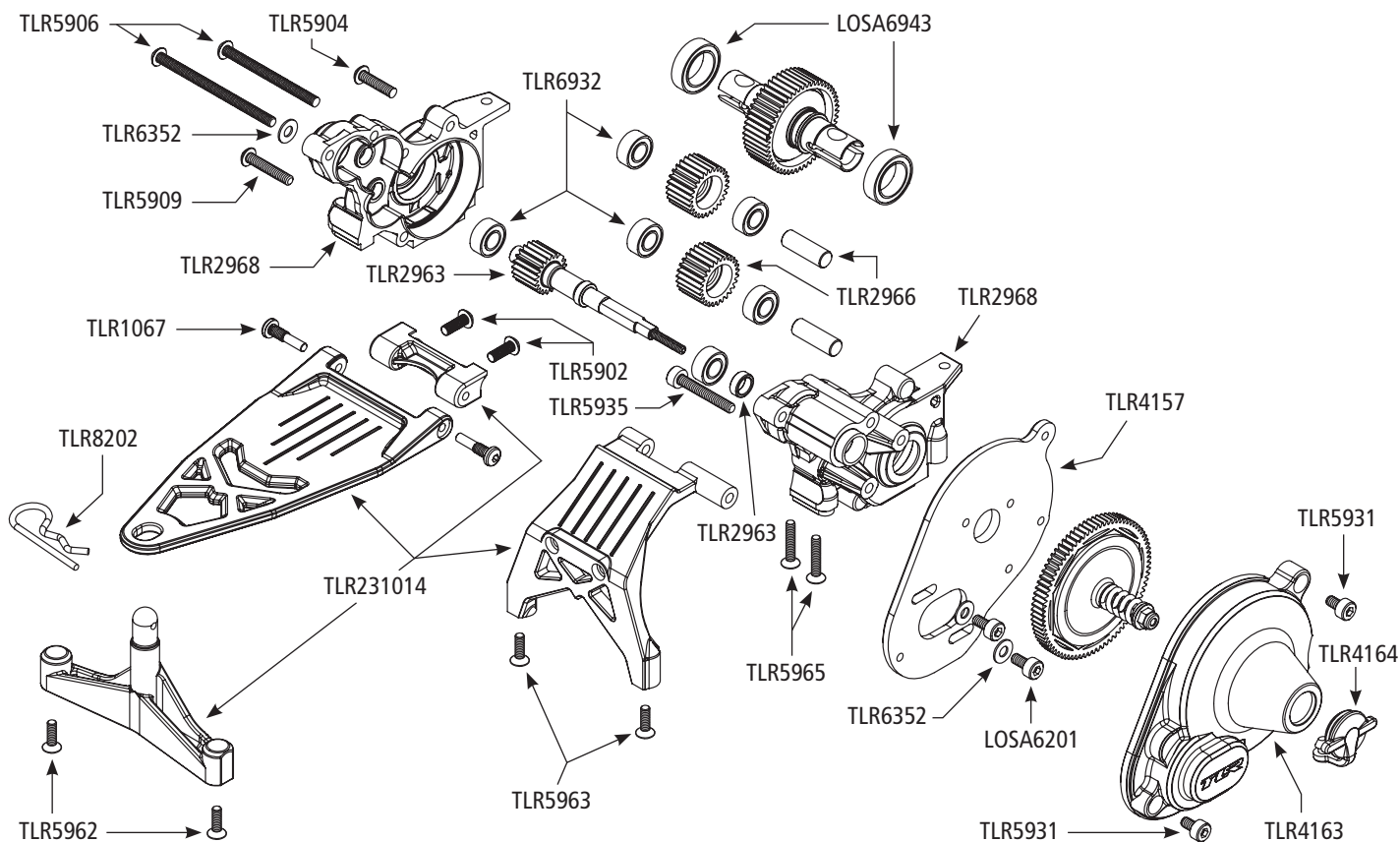
Part #	English	Deutsch	Français	Italiano	Español
TLR234003	Hinge Pin Set, TiCN (8): 22/2.0/ T/SCT	TLR Hinge Pin Set, TiCN (8): 22/2.0/T/SCT	Axes de suspension TiCN (8)	Set perno cerniera, TiCN (8): 22/2.0/ T/SCT	Pasadores trapecios TiCN (8): 22/2.0/T/SCT
TLR234004	Front Arm Set: 22/2.0	Querlenker Set vorne: 22/2.0	Triangles de suspension avant	Set bracci anteriori: 22/2.0	Trapecios delanteros: 22/2.0
TLR234005	Rear Arm Set: 22/2.0	Querlenker Set hinten: 22/2.0	Triangles de suspension arrière	Set bracci posteriori: 22/2.0	Trapecios traseros: 22/2.0
TLR234006	Caster Block Set, 0 & 5 degrees: 22/2.0/T/SCT	TLR C-Hub 0 + 5° 22/2.0/T/SCT	Etriers avant 0 et 5°	Set blocco caster, 0 & 5 gradi: 22/2.0/T/SCT	Portamanguetas 0° y 5°: 22/2.0/T/SCT
TLR234007	Front Spindle & Rear Hub Set: 22/2.0/T/SCT	Front Spindel & hinterer Radträger 22/2.0/T/SCT	Fusées avant et arrière	Set alberino anteriore & semi-asse posteriore: 22/2.0/T/SCT	Manguetas delanteras y traseras: 22/2.0/T/SCT
TLR234008	Front/Rear Hinge Pin Brace: 22/2.0/T/SCT	TLR: Querlenkerhalter v/h 22/2.0/T/SCT	Renfort de cellule av/arr	Supporto perno cerniera anteriore/posteriore: 22/2.0/T/SCT	Soporte pasadores trapecios del/tras.: 22/2.0/T/SCT
TLR234009	Anti-Squat Tuning Set, LRC: 22/2.0/T/SCT	TLR: Anti-Squat Tuning Set, LRC: 22/2.0/T/SCT	Set anti cabrage centre de roulis bas	Set messa a punto anti-squat, LRC: 22/2.0/T/SCT	Juego placas anti-squat LRC: 22/2.0/T/SCT
TLR234011	Suspension Pivot Ball, Molded: All 22	TLR Querlenkerhalter Kugelköpfe alle 22	Boules de pivots de suspensions	Sfera perno sospensione, stampata: All 22	Bolas pasadores trapecios: Todos 22
TLR237000	5x8x2.5mm Bearings (2)	TLR 5 x8x2.5mm Lager (2)	Roulements 5 x 8 x 2.5mm	5 x 8 x 2.5mm cuscinetti (2)	Rodamientos 5x8x2.5mm (2)
TLR239002	Sticker Sheet: 22 2.0	TLR Aufkleberbogen 22 2.0	Planche d'autocollants	Foglio adesivi: 22 2.0	Adhesivos: 22 2.0
TLR2930	Rear Hex, Standard Width, Aluminum: 22	TLR Radmutter Aluminium: 22	Hexagone de roue arrière en aluminium, largeur standard	Esagono posteriore, larghezza standard, alluminio: 22	Hexágono rueda trasero estándar aluminio: 22
TLR2946	Diff Nut, GenII, 22/T/SCT	TLR Spannmutter Diff Gen 22/T/SCT	Ecrou de diff gen II	Dado diff., GenII, 22/T/SCT	Tuerca diferencial GENII : 22/T/SCT
TLR2947	Tungsten Carbide Diff Balls, 2mm (6)	TLR Tungsten Carbide Kugeln, 2mm (6)	Billes de différentiel en carbure de tungstène, 2mm (6)	Sfere diff. al carburo di tungsteno, 2mm (6)	Bolas axial carburo de tungsteno 2mm (6)



Part #	English	Deutsch	Français	Italiano	Español
TLR2951	Tungsten Carbide Diff Balls, 3/32mm (14) 22/T/SCT	TLR Tungsten Carbide Kugel 3/32 (14)	Bille de différentiel en carbure de tungstène, 3/32 (14)	Sfere diff. al carburo di tungsteno, 3/32mm (14) 22/T/SCT	Bolas diferencial carburo de tungsteno 3/32" (14) 22/T/SCT
TLR2952	Silicone Diff Grease, 8cc: 22	TLR Differentialfett/8cc: 22	Graisse silicone pour diff, 8cc	Grasso silicone diff., 8cc: 22	Grasa silicona diferencial, 8cc: 22
TLR2953	Diff Gear, 51T: 22	TLR Diff-Zahnrad 51Z: 22	Couronne de diff 51T	Ingranaggio differenziale, 51T: 22	Corona diferencial 51T: 22
TLR2954	Drive Rings (2): 22	TLR Gleitringe Diff: 22	Plateau de différentiel (2)	Anelli trasmissione (2): 22	Pistas diferencial (2): 22
TLR2955	Outdrive Set: 22	TLR Antriebsklauen Set: 22	Noix de sortie de diff	Set trascinatore: 22	Vasos diferencial: 22
TLR2958	Diff Through Screw & Nut: 22	TLR Spannschraube mit Mutter: 22	Vis et écrou de serrage du diff	Viti passanti diff. & dadi: 22	Tornillo diferencial y tuerca: 22
TLR2959	Diff Spring: 22	TLR Druckfeder Diff: 22	Ressort de diff	Molla diff.: 22	Muelle diferencial: 22
TLR2963	Layshaft & Spacer: 22	TLR Hauptwelle mit Distanzring: 22	Arbre de slipper avec entretoise	Albero secondario & distanziale: 22	Eje transmisión y espaciador: 22
TLR2964	Slipper Spring: 22	TLR Slipper Feder: 22	Ressort de slipper	Molla antisaltellamento: 22	Muelle slipper: 22
TLR2965	Slipper Plates (2): 22, all XXX	TLR Slipper Scheiben (2): 22, all XXX	Plateaux de slipper	Piastre antisaltellamento (2): 22, all XXX	Platos slipper (2): 22, Todos XXX
TLR2966	Idler Gear & Shaft (2): 22	TLR Zwischenrad mit Steckachse: 22	Pignon intermédiaire avec axe	Ingranaggio tenditore & albero (2): 22	Piñón intermedio y eje (2): 22
TLR2967	Gear Case, Rear Motor: 22	TLR Getriebegehäuse, Heckmotor: 22	Carter de transmission, moteur arrière	Scatola ingranaggi, motore posteriore: 22	Caja transmisión, motor trasero: 22
TLR2968	Gear Case, Mid Motor: 22	TLR Getriebegehäuse, Mittelmotor: 22	Carter de transmission, moteur central	Scatola ingranaggi, motore centrale: 22	Caja transmisión, motor medio: 22
TLR2984	Toe Plate, Aluminum, 3 Degree, LRC: 22	TLR Querlenkerhalter Hinten Alum. 3 Grad LRC: 22	Cale de pincement en aluminium, 3°, LRC	Piastra alluminio, 3 gradi, LRC: 22	Placa convergencia trasera 3° aluminio LRC: 22
TLR336000	4mm Aluminum Serrated Lock Nuts, Black (6)	TLR 4mm Aluminium Stopmutter mit Flansch Schwarz 6St.	Ecrou auto-freiné épaulé M4, aluminium, noir (6)	Dado autobloccante seghettato 4mm, nero (6)	Tuercas 4mm aluminio con bloqueo, negras (6)
TLR3978	70T 48P Kevlar Spur Gear: 22	TLR 48P Hauptzahnrad 70T: 22	Couronne en Kevlar 76T 48dp	70T 48P corona kevlar: 22	Corona Kevlar 470T 48P: 22
TLR4154	Battery Trays: 22	TLR Akkuhalter: 22	Support arrière de batterie	Supporti batteria: 22	Soportes batería: 22
TLR4156	Chassis Foam Set: 22	TLR Polsterstreifen für Chassis: 22	Set de mousse de châssis	Set spugna telaio: 22	Set foam chasis: 22
TLR4157	Motor Plate: 22	TLR Motorplatte: 22	Support moteur	Piastra motore: 22	Placa motor: 22



Part #	English	Deutsch	Français	Italiano	Español
TLR4158	Motor Guard & Rear Bumper: 22	TLR Motorschutz und Stoßfänger: 22	Protection de moteur et pare-choc arr	Protezione motore & paraurti posteriore: 22	Protector motor y paragolpes trasero: 22
TLR4161	Wing Stay Set, Rear/Mid Motor: 22	TLR Spoilerhalter, Heck/Mittelmotor: 22	Set de supports d'aileton	Set attacchi alettone, motore posteriore/centrale: 22	Soporte alerón motor trasero/medio: 22
TLR4163	Gear Cover & Plug: 22	TLR Getriebeabdeckung und Stopfen: 22	Couvercle de transmission avec capuchon	Coperchio ingranaggio & tappo: 22	Protector corona y tapón: 22
TLR4164	Gear Cover Plugs (2): 22	TLR Getriebestopfen: 22	Capuchon de couvercle de transmission (2)	Tappo coperchio ingranaggio (2): 22	Tapón protector corona (2): 22
TLR4165	Rear Body Mounts: 22	TLR Karosseriehalter Hinten: 22	Supports de carrosserie arrière	Supporti posteriori carrozzeria: 22	Soporte trasero carrocería: 22
TLR5065	Bleeder Shock Caps, Alum (2): 22/T	TLR Stoßdämpferkappen Set (2): 22/T	Bouchons d'amortisseurs en aluminium avec purgeurs (2)	Tappo sfiato ammortizzatori, allum. (2): 22/T	Tapa superior amortiguador aluminio (2): 22/T
TLR5066	Bleeder Shock Cap Screw & Washers (4): 22/T	Stoßdämpferolumenausgleichkappe, Schraube und Unterlegscheibe (4) 22/T	Vis de purge avec joints (4)	Vite e rondelle tappo sfiato ammortizzatore. (4): 22/T	Tornillo y arandela tapa superior amortiguador (4): 22/T
TLR5077	Shock Tool Kit, 12mm Shock	TLR Dämpfer-Werkzeugsatz, 12mm Dämpfer	Outil pour amortisseur 12mm	Kit attrezzi ammortizzatore, 12mm	Herramientas amortiguador 12mm
TLR5083	Front Shock Body Set (2): 22	TLR Dämpfergehäuse-Set Vorne (2): 22	Set de corps d'amortisseurs avant (2)	Set corpo ammortizzatore anter. (2): 22	Cuerpo amortiguador delantero (2): 22
TLR5084	Rear Shock Body Set (2): 22	TLR Dämpfergehäuse-Set Hinten (2): 22	Set de corps d'amortisseurs arrière (2)	Set corpo ammortizzatore poster. (2): 22	Cuerpo amortiguador trasero (2): 22
TLR5086	Shock Cap: Bottom (2): 22	TLR Stoßdämpferendkappe unten (2): 22	Bouchon inférieur d'amortisseur (2)	Tappo ammort.: inferiore (2): 22	Tapa inferior amortiguador (2): 22
TLR5092	Upper Shock Bushing (4): 22	TLR Buchsen für Dämpfer: 22 (4)	Entroise supérieure d'amortisseur (4)	Boccola superiore ammort. (4): 22	Casquillo sujeción superior amortiguadores (4): 22
TLR5094	Shock Preload Adjuster Nut w/O-ring: 22	TLR Vorspannung Aluminium, 12mm Dämpfer	Bague de réglage d'amortisseur avec joint torique	Dado regolazione precarico ammort. senza O-ring: 22	Tuerca ajuste amortiguador con tórica: 22
TLR5095	Shock End Set w/Spring Cups, 12mm Shock: 22	TLR Endkugelpfanne / Federsteller, 12mm Dämpfer: 22	Chapes et coupelles d'amortisseurs	Terminale ammort. c/molla a tazza, 12mm: 22	Rótula y soporte muelle amortiguador 12mm: 22



Part #	English	Deutsch	Français	Italiano	Español
TLR5906	Shock Limiter Set, 3.5mm Shaft: 22	TLR Einfederbegrenzung-Set, 3.5mm: 22	Butées d'amortisseurs 3.5mm	Set limitatore ammort., albero 3,5mm.: 22	Limitadores amortiguador, vástago 3.5mm: 22
TLR5907	Shock Standoff (2): 22	TLR Dämpferhalter: 22	Entretoise d'amortisseur (2)	Supporto ammortizzatore (2): 22	Sujeción superior amortiguador (2): 22
TLR5900	Button Head Screws, M3 x 5mm (10)	TLR Rundkopfschraube, M3 x 5mm (10)	Vis à tête bombée M3 x 5mm (10)	Viti testa tonda, M3 x 5mm (10)	Tornillo botón 3 x 5mm (10)
TLR5901	Button Head Screws, M3 x 6mm (10)	TLR Rundkopfschraube, M3 x 6mm (10)	Vis à tête bombée M3 x 6mm (10)	Viti testa tonda, M3 x 6mm (10)	Tornillo botón 3 x 6mm (10)
TLR5902	Button Head Screws, M3 x 8mm (10)	TLR Rundkopfschraube, M3 x 8mm (10)	Vis à tête bombée M3 x 8mm (10)	Viti testa tonda, M3 x 8mm (10)	Tornillo botón 3 x 8mm (10)
TLR5903	Button Head Screws, M3 x 10mm (10)	TLR Rundkopfschraube, M3 x 10mm (10)	Vis à tête bombée M3 x 10mm (10)	Viti testa tonda, M3 x 10mm (10)	Tornillo botón 3 x 10mm (10)
TLR5904	Button Head Screws, M3 x 12mm (10)	TLR Rundkopfschraube, M3 x 12mm (10)	Vis à tête bombée M3 x 12mm (10)	Viti testa tonda, M3 x 12mm (10)	Tornillo botón 3 x 12mm (10)
TLR5905	Button Head Screws, M3 x 18mm (10)	TLR Rundkopfschraube, M3 x 18mm (10)	Vis à tête bombée M3 x 18mm (10)	Viti testa tonda, M3 x 18mm (10)	Tornillo botón 3 x 18mm (10)
TLR5906	Button Head Screws, M3 x 35mm (10)	TLR Rundkopfschraube, M3 x 35mm (10)	Vis à tête bombée M3 x 35mm (10)	Viti testa tonda, M3 x 35mm (10)	Tornillo botón 3 x 35mm (10)
TLR5907	Button Head Screws, M3 x 40mm (10)	TLR Rundkopfschraube, M3 x 40mm (10)	Vis à tête bombée M3 x 40mm (10)	Viti testa tonda, M3 x 40mm (10)	Tornillo botón 3 x 40mm (10)
TLR5908	Button Head Screws, M3 x 44mm (10)	TLR Rundkopfschraube, M3 x 44mm (10)	Vis à tête bombée M3 x 44mm (10)	Viti testa tonda, M3 x 44mm (10)	Tornillo botón 3 x 44mm (10)
TLR5909	Button Head Screws, M3 x 16mm (10)	TLR Rundkopfschraube, M3 x 16mm (10)	Vis à tête bombée M3 x 16mm (10)	Viti testa tonda, M3 x 16mm (10)	Tornillo botón 3 x 16mm (10)
TLR5931	Cap Head Screws, M3 x 5mm (10)	TLR Zylinderkopfschraube, M3 x 5mm (10)	Vis BTR M3 x 5mm (10)	Viti testa a brugola, M3 x 5mm (10)	Tornillo redondo 3 x 5mm (10)
TLR5934	Cap Head Screws, M3 x 16mm (10)	TLR Rundkopfschraube, M3 x 16mm (10)	Vis BTR M3 x 16mm (10)	Viti testa a brugola, M3 x 16mm (10)	Tornillo redondo 3 x 16mm (10)
TLR5958	Flat Head Screw, M2 x 8mm (10)	TLR Flachkopfschrauben, M2 x 8mm (10)	Vis à tête fraisée M2 x 8mm (10)	Vite a testa piatta, M2 x 8mm (10)	Tornillo cónico 2 x 8mm (10)
TLR5960	Flat Head Screw, M2 x 6mm (10)	TLR Flachkopfschrauben, M2 x 6mm (10)	Vis à tête fraisée M2 x 6mm (10)	Vite a testa piatta, M2 x 6mm (10)	Tornillo cónico 2 x 6mm (10)
TLR5961	Flat Head Screw, M3 x 8mm (10)	TLR Flachkopfschrauben, M3 x 8mm (10)	Vis à tête fraisée M3 x 8mm (10)	Vite a testa piatta, M3 x 8mm (10)	Tornillo cónico 3 x 8mm (10)
TLR5962	Flat Head Screw, M3 x 10mm (10)	TLR Flachkopfschrauben, M3 x 10mm (10)	Vis à tête fraisée M3 x 10mm (10)	Vite a testa piatta, M3 x 10mm (10)	Tornillo cónico 3 x 10mm (10)
TLR5963	Flat Head Screw, M3 x 12mm (10)	TLR Flachkopfschrauben, M3 x 12mm (10)	Vis à tête fraisée M3 x 12mm (10)	Vite a testa piatta, M3 x 12mm (10)	Tornillo cónico 3 x 12mm (10)

Part #	English	Deutsch	Français	Italiano	Español
TLR5964	Flat Head Screw, M3 x 16mm (10)	TLR Flachkopfschrauben, M3 x 16mm (10)	Vis à tête fraisée M3 x 16mm (10)	Vite a testa piatta, M3 x 16mm (10)	Tornillo cónico 3 x 16mm (10)
TLR5965	Flat Head Screw, M3 x 20mm (10)	TLR Flachkopfschrauben, M3 x 20mm (10)	Vis à tête fraisée M3 x 20mm (10)	Vite a testa piatta, M3 x 20mm (10)	Tornillo cónico 3 x 20mm (10)
TLR6018	Rod End (16), 4.8mm: 22	TLR Kugelpfannen (16) 4.8mm: 22	Chape rotule 4,8mm (16)	Terminale (16), 4.8mm: 22	Rótulas 4.8mm (16): 22
TLR6019	Ballstud/Hub Spacer Set, Aluminium: 22	TLR Distanzringe für Kugelkopf Aluminium: 22	Rotules à visser et entretoises en aluminium	Perno sferico/set distanziali, alluminio: 22	Arandelas ajuste bola/mangueta aluminio: 22
TLR6023	Ball Stud, 4.8 x 10mm (4): 22	TLR Kugelkopf mit Gewinde 4.8 x 10mm (4): 22	Rotules à visser 4,8mm x 10mm (4)	Perno sferico, 4.8 x 10mm (4): 22	Bola con tornillo 4.8 x 10mm (4): 22
TLR6024	Ball Stud, 4.8 x 8mm (4): 22	TLR Kugelkopf mit Gewinde, 4.8 x 8mm (4): 22	Rotules à visser 4,8mm x 8mm (4)	Perno sferico, 4.8 x 8mm (4): 22	Bola con tornillo 4.8 x 8mm (4): 22
TLR6025	Ball Stud, 4.8 x 6mm (4): 22	TLR Kugelkopf mit Gewinde 4.8mm x 6mm (4): 22	Rotules à visser 4,8mm x 6mm (4)	Perno sferico, 4.8 x 6mm (4): 22	Bola con tornillo 4.8 x 6mm (4): 22
TLR6028	Ball Stud, Short Neck, 5mm (2)	TLR Kugelkopf mit Gewinde kurzen Hals, 5mm (2)	Rotules à visser courtes 5mm (2)	Perno sferico, Short Neck, 5mm (2)	Bola con tornillo cuello corto 5mm (2)
TLR6076	Turnbuckles, 50mm (2): 22	TLR Gewindestift R/L 50mm (2): 22	Biellettes 50mm (2)	Tenditori, 50mm (2): 22	Tirantes 50mm (2): 22
TLR6077	Turnbuckle, 55mm: 22 (2)	TLR Gewindestift R/L 55mm (2): 22	Biellettes 55mm (2)	Tenditore, 55mm: 22 (2)	Tirantes 55mm (2): 22
TLR6105	E-Clips, 3mm Shaft (12)	TLR E-Clipse, 3mm (12)	Clips pour arbre 3mm (12)	E-Clips, 3mm Shaft (12)	E-Clips 3mm (12)
TLR6276	Set Screw, M2.5 x 5mm, Cup Point (10)	TLR Schraubenset, M2.5 x 5mm, Cup Point (10)	Vis sans tête bout bombé M2,5x5mm (10)	Grano, M2.5 x 5mm, punta piana (10)	Tornillo allen 2.5 x 5mm (10)
TLR6289	Set Screw, M3 x 5mm (10)	TLR Schraubenset, M3 x 5mm (10)	Vis sans tête M3x5mm (10)	Grano, M3 x 5mm (10)	Tornillos allen 3 x 5mm (10)
TLR6312	Locknut, M2.5 x .45 x 5mm (6)	TLR Mutter selbstsichernd M2.5 x .45 x 5mm (6)	Ecrou M2,5x0,45x5mm (6)	Dado autobloccante, M2.5 x .45 x 5mm (6)	Tuercas autobloccantes 2.5 x 0.45 x 5mm (6)
TLR6313	Locknut, M3 x .5 x 5.5mm (10)	TLR Mutter selbstsichernd M3 x .5 x 5.5mm (10)	Ecrou M3 x 0,5 x 5,5mm (10)	Dado autobloccante, M3 x .5 x 5.5mm (10)	Tuercas autobloccantes 3 x 0.5 x 5.5mm (6)
TLR6352	Washers, M3 (10)	TLR U-Scheibe, M3 (10)	Rondelles M3 (10)	Rodelle, M3 (10)	Arandelas M3 (10)
TLR6932	5x10x4mm HD Bearings (2)	TLR Kugellager 5 x 10 x 4mm (2)	Roulements renforcés 5x10x4mm (2)	5x10x4mm HD Cuscinetti (2)	Rodamientos HD 5 x 10 x 4mm (2)
TLR7000	Front Wheel, White (2): 22	TLR Felge vorne, Weiss (2): 22	Jante avant blanche (2)	Ruota anteriore, bianca (2): 22	Llanta delantera blanca (2): 22
TLR7001	Front Wheel, Yellow (2): 22	TLR Felge vorne, Gelb (2): 22	Jante avant Jaune (2)	Ruota anteriore, gialla (2): 22	Llanta delantera amarilla (2): 22
TLR7100	Rear Wheel, White (2): 22	TLR Felge hinten, Weiss (2): 22	Jante arrière blanc (2)	Ruota posteriore, bianca (2): 22	Llanta trasera blanca (2): 22
TLR7101	Rear Wheel, Yellow (2): 22	TLR Felge hinten, Gelb (2): 22	Jante arrière jaune (2)	Ruota posteriore, gialla (2): 22	Llanta trasera amarilla (2): 22
TLR74006	Silicone Shock oil, 30wt, 2oz	Silikon Stoßdämpfer Öl, 30wt, 2oz	Huile silicone d'amortisseur, 30wt, 60 ml	Olio silicone ammortizzatore, 30wt, 2oz	Aceite silicona amortiguador 30wt, 2oz
TLR76004	TLR Lok, Threadlock, Blue	TLR Schraubensicherungslack Blau	Frein filet TLR Lok, bleu	TLR Lok, frenafilet, blu	Fijatornillo TLR Lok, azul
TLR77000	High-Pressure Black Grease, 8cc	TLR High-Pressure Fett Schwarz/8cc	Graisse noire haute pression, 8cc	Grasso nero alta pressione, 8cc	Grasa negra alta presión 8cc
TLR8201	Wing Washers (4): 22	TLR U-Scheibe Spoiler (4): 22	Rondelles d'aileron	Rondelle alettone (4): 22	Arandela alerón (4): 22
TLR8202	Body Clips, Black (12): 22	TLR Karosseriekammern Schwarz (12): 22	Clips de carrosserie (12), noirs	Clips carrozzeria, neri (12): 22	Clips carrocería negros (12): 22

OPTIONAL PARTS / DIVERSE TEILE / PIECES OPTIONNELLES / PARTI OPZIONALI / OPCIONES

Part #	English	Deutsch	Français	Italiano	Español
TLR1048	Brass Kick Angle Shim, 20 Degrees: 22	TLR Brass Kick Angle Distanzstück 20°: 22	Cales de chasse en bronze, 20°	Spessore in ottone per inclinazione 20 gradi: 22	Placa delantera latón 20° kick: 22
TLR1049	Brass Kick Angle Shim, 25 Degrees: 22	TLR Brass Kick Angle Distanzstück 25°: 22	Cales de chasse en bronze, 25°	Spessore in ottone per inclinazione 25 gradi: 22	Placa delantera latón 25° kick: 22
TLR1070	Front Axle Lug Screw Aluminium Serrated (2): 22	TLR Radmutter Vorne, Aluminium (2): 22	Vis de roue avant striée en aluminium (2)	Vite terminale assale anteriore in alluminio dentellato (2): 22	Tornillos eje rueda delantera aluminio (2): 22

Part #	English	Deutsch	Français	Italiano	Español
TLR1105	Front Pivot, 30 Degree, Alum: 22T	TLR Querlenkerhalter, 30°, Aluminium: 22T	Cale de pincement avant en aluminium, 30°	Perno anteriore, 30 gradi, allum.: 22T	Soporte trapecios delanteros 30° aluminio: 22T
TLR1550	Servo Mounts, Aluminum: 22/22T	TLR Servobefestigung Aluminium, 22/22T	Supports de servo en aluminium	Supporti servo, alluminio: 22/22T	Soporte servo aluminio: 22/22T
TLR1555	Servo Horn, 23T, Aluminum: 22	TLR Servohorn/23T/Aluminium: 22	Bras de servo 23T en aluminium	Squadretta servo alluminio, 23T: 22	Brazo servo aluminio 23T: 22
TLR1556	Servo Horn, 24T, Aluminum: 22	TLR Servo Horn 24T Aluminium: 22	Bras de servo 24T en aluminium	Squadretta servo alluminio, 24T: 22	Brazo servo aluminio 24T: 22
TLR1557	Servo Horn, 25T, Aluminum: 22	TLR Servo Horn 25T Aluminium: 22	Bras de servo 25T en aluminium	Squadretta servo alluminio, 25T: 22	Brazo servo aluminio 25T: 22
TLR2059	Front Camber Block, Aluminium, 22/22T	TLR Halter vorne/oben, Aluminium: 22/22T	Bloc de carrossage avant en aluminium	Blocco camber anter. alluminio, 22/22T	Tabica camber delantera aluminio: 22/22T
TLR2061	Rear Camber Block, Mid Motor, Aluminum: 22/T/SCT	TLR Aufhängungshalter Mittelmotor Alum: 22/T/SCT	Bloc de carrossage arrière (moteur central) en aluminium	Blocco camber anter., motore centrale, alluminio: 22/T/SCT	Tabica camber trasera aluminio, motor medio: 22/T/SCT
TLR232000	Complete Ball Diff, Tungsten Balls: 22/T/SCT	TLR Kugeldiff Komplett mit Tungstenkugeln: 22/T/SCT	Différentiel complet à billes tungstène	Sfere in tungsteno per differenziale: 22/T/SCT	Diferencial completo con bolas de tungsteno: 22/T/SCT
TLR232001	Diff Service Kit, Tungsten Balls: 22/T/SCT	TLR : 22/T/SCT Diff Service Kit, Wolframkugeln	Kit de réparation de différentiel, billes tungstène	Kit manutenzione diff., sfere in tungsteno: 22/T/SCT	Kit reparación diferencial con bolas de tungsteno: 22/T/SCT
TLR232009	HDS Spur Gear, 76T 48P, Kevlar: All 22	TLR HDS Zahnrad 76T 48P Kevlar: alle 22	Couronne Kevlar HDS, 76T 48P	Corona HDS, 76T 48P, Kevlar: All 22	Corona HDS 76T 48P kevlar: Todos 22
TLR232011	HDS Spur Gear, 82T 48P, Kevlar: All 22	TLR HDS Zahnrad 82T 48P Kevlar: alle 22	Couronne Kevlar HDS, 82T 48P	Corona HDS, 82T 48P, Kevlar: All 22	Corona HDS 82T 48P kevlar: Todos 22
TLR232012	HDS Spur Gear, 84T 48P, Kevlar: All 22	TLR HDS Zahnrad 84T 48P Kevlar: alle 22	Couronne Kevlar HDS, 84T 48P	Corona HDS, 84T 48P, Kevlar: All 22	Corona HDS 84T 48P kevlar: Todos 22
TLR232013	HDS Spur Gear, 86T 48P, Kevlar: All 22	TLR HDS Zahnrad 86T 48P Kevlar: alle 22	Couronne Kevlar HDS, 86T 48P	Corona HDS, 86T 48P, Kevlar: All 22	Corona HDS 86T 48P kevlar: Todos 22
TLR233008	Shock Piston 12mm 1.5x2 CNC Machined(4): All22,SCTE	TLR Stoßdämpferkolben 12mm 1.5 x2 CNC gefertigt (4) Alle 22, SCTE	Pistons d'amortisseurs usinés CNC diamètre 12mm, 1,5 x 2 trous (4)	Pistone ammortizzatore 12mm 1.5 x 2 fresato (4): All 22,SCTE	Pistón amortiguador 12mm 1.5 x 2 mecanizado CNC (4): Todos 22, SCTE
TLR233010	Shock Piston 12mm 1.7x2 CNC Machined(4): All22,SCTE	TLR Stoßdämpferkolben 12mm 1.7 x2 CNC gefertigt (4) Alle 22, SCTE	Pistons d'amortisseurs usinés CNC diamètre 12mm, 1,7 x 2 trous (4)	Pistone ammortizzatore 12mm 1.7x2 fresato (4): All 22,SCTE	Pistón amortiguador 12mm 1.7 x 2 mecanizado CNC (4): Todos 22, SCTE
TLR233011	Shock Piston 12mm Blank CNC Machined(4): All22,SCTE	TLR Stoßdämpferkolben 12mm CNC gefertigt (4) Alle 22, SCTE	Pistons d'amortisseurs usinés CNC diamètre 12mm, à percer (4)	Pistone ammortizzatore 12mm Blank fresato (4): All 22,SCTE	Pistón amortiguador 12mm mecanizado CNC (4): Todos 22, SCTE
TLR234010	Anti-Squat Tuning Set, HRC: 22/2.0/T/SCT	Anti-Squat Tuning Set, HRC: 22/2.0/T/SCT	Set anti-cabrage HRC	Set messa a punto anti-squat, HRC: 22/2.0/T/SCT	Placas anti-squat HRC: 22/2.0/T/SCT
TLR2931	Rear Hex, +.75mm Width, Aluminum: 22	TLR Spurverbreiterung +.75mm Breite Aluminium: 22	Hexagone arrière en aluminium, largeur +0,75mm	Esagono poster., largo +.75mm, alluminio: 22	Hexágonos rueda trasera +0.75mm aluminio: 22
TLR2932	Rear Hex, +1.5mm Width, Aluminum: 22	TLR Spurverbreiterung +1.5mm Breite Aluminium: 22	Hexagone arrière en aluminium, largeur +1,5mm	Esagono poster., largo +1.5mm, alluminio: 22	Hexágonos rueda trasera +1.5mm aluminio: 22
TLR2950	Hex Differential Wrench, Aluminum: 22	TLR Diff Einstellschlüssel, Aluminium: 22	Clé hexagonale pour différentiel	Chiave esagonale differenziale, alluminio: 22	Llave ajuste diferencial aluminio, 22
TLR2979	Toe Plate, Aluminum, 3.5 Degree: HRC, 22	TLR Vorspurplatte, Aluminium, 3.5Grad: 22	Cale de pincement aluminium 3.5° HRC	Piastra toe, alluminio, 3,5 gradi: HRC, 22	Placa convergencia trasera 3.5° aluminio HRC: 22
TLR2980	Toe Plate, Aluminum, 4 Degree: HRC, 22	TLR Vorspurplatte, Aluminium, 4 Grad: 22	Cale de pincement aluminium 4° HRC	Piastra toe, alluminio, 4 gradi: HRC, 22	Placa convergencia trasera 4° aluminio HRC: 22
TLR2983	Toe Plate, Aluminum, 3 Degree, HRC: 22	TLR Querlenkerhalter Hinten Alum. 3 Grad HRC: 22	Cale de pincement aluminium 3° HRC	Piastra toe, alluminio, 3 gradi, HRC: 22	Placa convergencia trasera 3° aluminio HRC: 22
TLR2985	Toe Plate, Aluminum, 3.5 Degree, LRC: 22	TLR Querlenkerhalter hinten Alum. 3.5 Grad LRC: 22	Cale de pincement aluminium 3.5° LRC	Piastra toe, alluminio, 3,5 gradi, LRC: 22	Placa convergencia trasera 3.5° aluminio LRC: 22
TLR2986	Toe Plate, Aluminum, 4 Degree, LRC: 22	TLR Querlenkerhalter hinten Alum. 4 Grad LRC: 22	Cale de pincement aluminium 4° LRC	Piastra toe, alluminio, 4 gradi, LRC: 22	Placa convergencia trasera 4° aluminio LRC: 22
TLR2990	22/22T Slipper Adjustment Tool	TLR 22/22T Slipper Einstellwerkzeug	Outil de réglage du slipper	22/22T Slipper Adjustment Tool	Herramienta ajuste slipper 22/22T
TLR330000	22 2.0 Cab Forward Body and Wing Set, w/ Stickers	TLR 22 2.0 Cap Forward Karosserie /Spoiler Set / Aufklebersatz	Carrosserie type "Cab" avec aileron et planche de décoration	22 2.0 Carrozzeria Cab e set alettone, con adesivi	Carrocería 22 2.0 Cab Forward y alerón con adhesivos
TLR330001	7" High Downforce Wing, Precut	TLR 7" High Downforce Spoiler geschnitten	Aileron appui élevé, prédécoupé (2)	Alettone 7", forte deportanza, pretagliato	Alerón 7" precortado alta carga aerodinámica
TLR331000	TLR 22 Chassis Protective Tape Precut (2)	TLR 22 Chassis Schutzfolie vorgeschritten (2)	Adhésif de protection de châssis pré-découpé (2)	Nastro protettivo pretagliato, telaio TLR22 (2)	Protector chasis precortado TLR22 (2)
TLR331009	Battery Strap, Rear Motor, Alum: 22/2.0/T/SCT	Akkuhalter Heckmotor Alu:22/2.0/T/SCT	Support de batterie en aluminium, moteur arrière	Fascetta batteria, motore posteriore, alluminio: 22/2.0/T/SCT	Sujeción batería aluminio, motor trasero: 22/2.0/T/SCT

Part #	English	Deutsch	Français	Italiano	Español
TLR331010	Battery Strap, Rear Motor, Carbon: 22/2.0/T/SCT	Akkualter Heckmotor Carbon :22/2.0/T/SCT	Support de batterie en carbone, moteur arrière	Fascetta batteria, motore posteriore, carbonio: 22/2.0/T/SCT	Sujeción batería carbono, motor trasero: 22/2.0/T/SCT
TLR331011	Thumb Screw Battery Mounting, Alum: 22/2.0/T/SCT	TLR Verschlusschraube Akkualter Alu: 22/2.0/T/SCT	Vis moletée en aluminium du support de batterie	Vite a serraggio manuale per batteria, allum.: 22/2.0/T/SCT	Tornillo soporte batería aluminio: 22/2.0/T/SCT
TLR332002	Driveshaft Set, Aluminum, Complete: 22	TLR Antriebswellenset Aluminium Komplett 22	Jeu de cardans complets en aluminium	Set albero trasmissione completo, allum.: 22	Cardan completo aluminio: 22
TLR334003	Toe Plate, Aluminum 2.5 Degree, LRC: 22	TLR Querlenkerhalter 2.5° Vorspur LRC: 22	Cale de pincement 2,5° LRC en aluminium	Piastra toe, alluminio, 2,5 gradi, LRC: 22	Placa convergencia trasera 2.5° aluminio LRC: 22
TLR334005	2.0 Front Spindle, +2mm Trail, Alum: 22 2.0	TLR 2.0 Spindel vorne +2mm Trail :22 2.0	Fusées avant en aluminium, déport 2mm	Fuso anter. 2.0, +2mm, allum.: 22 2.0	Mangueta delantera 2.0 aluminio +2mm desplazamiento: 22 2.0
TLR334014	Rear Hub Carrier, Aluminum: 22/2.0/T/SCT	Radträger hinten Alu: 22 2.0/T/SCT	Fusées arrières en aluminium	Supporto mozzo posteriore, alluminio: 22/2.0/T/SCT	Mangueta trasera aluminio: 22/2.0/T/SCT
TLR334015	Front Pivot, HRC, Aluminum: 22/2.0/T/SCT	TLR: Querlenkerhalter vorne HRC, Alu 22/2.0/T/SCT	Cale de pincement avant HRC en aluminium	Perno anteriore, HRC, alluminio: 22/2.0/T/SCT	Soporte trapecios delanteros aluminio HRC: 22/2.0/T/SCT
TLR336001	4mm Aluminum Serrated Lock Nuts, Blue (6)	TLR 4mm Aluminium Stopmutter mit Flansch Blau (6).	Ecrou auto-freiné épaulé M4, aluminium, bleu (6)	Dado autobloccante 4mm dentellato, blu (6)	Tuercas 4mm aluminio con bloqueo, azul (6)
TLR4151	Brass Weight System, Mid Motor: 22	TLR Zusatzgewichte, Mittelmotor: 22	Système d'équilibrage, moteur central	Sistema pesi in ottone, motore centrale: 22	Conjunto pesos latón, motor medio: 22
TLR4166	Titanium Shock Mounts (4): 22	TLR Titan Dämpferbefestigung (4): 22	Fixations d'amortisseurs en titane	Supporti ammortizzatori in titanio (4): 22	Sujeción superior amortiguadores titanio (4): 22
TLR4167	Brass Weight System, Rear Motor: 22	TLR Zusatzgewichte Hinten: 22	Masses d'équilibrage pour moteur en position arrière	Sistema pesi in ottone, motore posteriore: 22	Conjunto pesos latón, motor trasero: 22
TLR5099	Shock Tool Kit, Aluminum: 12mm Shock	TLR Dämpfer Werkzeugset, Aluminium: 12mm Dämpfer	Set d'outillage pour amortisseurs 12mm	Kit attrezzi ammortizz. 12mm, alluminio	Herramientas amortiguador 12mm aluminio
TLR6030	Titanium Ball Stud, 4.8 x 6mm (2)	TLR Titan Kugelköpfe, 4.8 x 6mm (2)	Rotule en titane, 4,8 x 6mm (2)	Perno sferico, titanio, 4,8 x 6mm (2)	Bola con tornillo 4.8 x 6mm (2)
TLR6031	Titanium Ball Stud, 4.8 x 8mm (2)	TLR Titan Kugelköpfe, 4.8 x 8mm (2)	Rotule en titane, 4,8 x 8mm (2)	Perno sferico, titanio, 4,8 x 8mm (2)	Bola con tornillo 4.8 x 8mm (2)
TLR6032	Titanium Ball Stud, 4.8 x 10mm (2)	TLR Titan Kugelköpfe, 4.8 x 10mm (2)	Rotule en titane, 4,8x10mm (2)	Perno sferico, titanio, 4,8 x 10mm (2)	Bola con tornillo 4.8 x 10mm (2)
TLR6076	Turnbuckles, 50mm (2): 22	TLR Gewindestift R/L 50mm (2): 22	Biellettes 50mm (2)	Tenditore, 50mm (2): 22	Tirantes 50mm (2): 22
TLR72000	Ball Cup Wrench, 4.8mm: 22/T/SCT	TLR Kugelkopf Inbus 4.8mm 22/T/SCT	Clé pour rotules 4.8mm	Chiave per attacco a sfera, 4.8mm: 22/T/SCT	Llave rótulas 4.8mm: 22/T/SCT
TLR74004	Silicone Shock oil, 25wt, 2oz	Silikonstoßdämpferöl, 25wt, 2 oz	Huile silicone d'amortisseur, 25wt, 60 ml	Olio silicone ammortizzatori, 25wt, 2oz	Aceite amortiguador silicona 25wt, 2oz
TLR74005	Silicone Shock oil, 27.5wt, 2oz	Silikonstoßdämpferöl, 27,5wt, 2 oz	Huile silicone d'amortisseur, 27,5wt, 60 ml	Olio silicone ammortizzatori, 27.5wt, 2oz	Aceite amortiguador silicona 27.5wt, 2oz
TLR74007	Silicone Shock oil, 32.5wt, 2oz	Silikonstoßdämpferöl, 32.5wt, 2 oz	Huile silicone d'amortisseur, 32,5wt, 60 ml	Olio silicone ammortizzatori, 32.5wt, 2oz	Aceite amortiguador silicona 32.5wt, 2oz
TLR74008	Silicone Shock oil, 35wt, 2oz	Silikonstoßdämpferöl, 35wt, 2 oz	Huile silicone d'amortisseur, 35wt, 60 ml	Olio silicone ammortizzatori, 35wt, 2oz	Aceite amortiguador silicona 35wt, 2oz
TLR74019	Shock Oil 6Pk, 17.5, 22.5, 27.5, 32.5, 37.5, 42.5 2oz	Stoßdämpferöl 6 Set, 17.5, 22.5, 27.5, 32.5, 37.5, 42.5, 2oz	Assortiment de 6 flacons d'huile silicone d'amortisseur 17.5, 22.5, 27.5, 32.5, 37.5, 42.5 en 60ml	Olio ammortizzatori 6Pk, 17.5, 22.5, 27.5, 32.5, 37.5, 42.5 2oz	Pack aceite amortiguador silicona 17.5, 22.5, 27.5, 32.5, 37.5, 42.5wt, 2oz
TLR74020	Shock Oil 6Pk, 20, 25, 30, 35, 40, 45, 2oz	Stoßdämpferöl 6 Set 6Pk, 20, 25, 30, 35, 40, 45, 2oz	Assortiment de 6 flacons d'huile silicone d'amortisseur 20, 25, 30, 35, 40, 45 en 60ml	Olio ammortizzatori 6Pk, 20, 25, 30, 35, 40, 45, 2oz	Pack aceite amortiguador silicona 20, 25, 30, 35, 40, 45wt 2oz
TLR8300	TLR Sticker Sheet	TLR Dekorbogen	Planche déco TLR	Foglio adesivi TLR	Adhesivos TLR
TLR99004	TLR Embroidered Cargo Bag	TLR Tasche	Sac de transport TLR	Borsa ricamata TLR	Bolsa de transporte TLR
TLR99014	TLR Foam Pit Mat	TLR Schrauberplatte Schaum	Tapis de stand en mousse TLR	Stuoia gommapiuma TLR	Base de trabajo foam TLR
TLR99101	Shock Shaft Pliers	TLR Zange für Dämpferkolbenstange	Pince à tige d'amortisseur	Pinze albero ammortizzatore	Alicates para vástagos amortiguador
TLR99102	Turnbuckle Wrench, 22, 8ight, XXX	TLR Stellschlüssel für Gewindestift, 3.5, 4, 5mm	Clé à biellettes 3.5mm, 4mm, 5mm	Chiave per tenditore, 22, 8ight, XXX	Llave tirantes: 22, 8ight, XXX